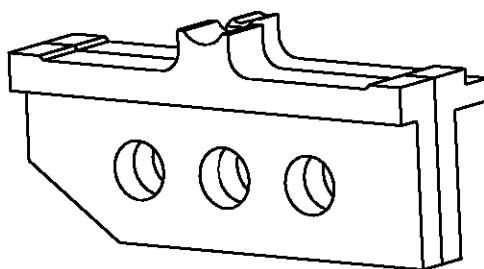
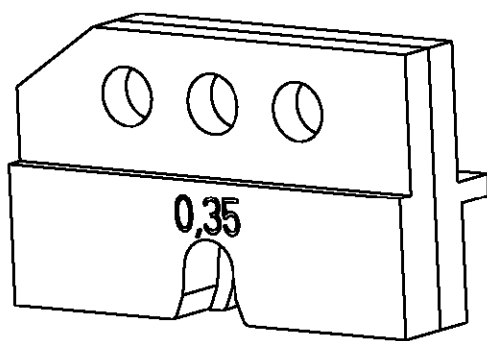


LOC	DIST	REVISIONS					
A1	-	P	LTR	DESCRIPTION	DATE	DWN	APVD
			A	new drawing	11FEB2002	-	-

Kontakt Contact	DGB (mm^2) Wire Range	Drahtcrimp/Wirecrimp Hoehe/Height	Breite/W width	Isocrimp Breite/W width	Iso.-Ø Ins. Range	Dichtung Seal	Betriebsanl. Instr. Sheet
967715 / 967721 / 968896	0.35	1.08	1.57	3.94	1.2-1.4	828904	411-18173



539725-2	1	1-539787-4	locator ass.	Positioniereinheit	A
	1	1-519151-3	screw M4x25	Schraube M4x25	A
	1	0-519151-9	screw M4x10	Schraube M4x10	A
	1	0-519024-2	hex nut M4	Mutter M4 DIN 985	A
	QTY Stck	PN	Description	Benennung	REV

19

RELEASED FOR PUBLICATION

THIS DRAWING IS UNPUBLISHED.

© COPYRIGHT 19 BY TYCO ELECTRONICS CORPORATION. ALL RIGHTS RESERVED.

DIMENSIONS: mm-DIN 7168-m		DWN M. Weberndoerfer 19JAN00	MATERIAL -	FINISH -			
TOLERANCES UNLESS OTHERWISE SPECIFIED:		CHK U. Reuter 19JAN00	AMP tyco Electronics AMP GmbH D - 64625 Bensheim				
0 PLC ± 1 PLC ± 2 PLC ± 3 PLC ± 4 PLC ± ANGLES ±		APVD -					
		PRODUCT SPEC -	NAME ERGOCRIMP Die Set for MCP 2.8 mm (SWS) and 2.8 mm Sensor-Flattype Rec. (SWS)				
		APPLICATION SPEC -	SIZE A4	CAGE CODE 00779	DRAWING NO C=539725-2	RESTRICTED TO -	
		WEIGHT -	CUSTOMER DRAWING		SCALE 2:1	SHEET 1 OF 1	REV A